



GeBE-VARIO Plus Linerless

GPT-18760-LL

TECHNICAL INFORMATION



The key advantages at a glance:

- Thermal printer, also with presenter unit and paper roll holder
- Linerless cutter for full cut for paper thickness 70 – 120 µm
- Suitable for linerless paper printouts of text, graphics and barcodes
- For paper width 114 – 151 mm and paper roll diameter up to 250 mm
- High quality print of 203 dpi with speed up to 200 mm/s

The GeBE-VARIO Plus Linerless

The thermal printer GeBE-VARIO Plus Linerless with linerless cutter and optional with presenter unit is particularly suitable for papers without liner material (linerless). The material of the platen as well as the cutter blade is adhesive-repellent whereby linerless paper is transported and cut off without any problems. The linerless papers are also much more environmentally friendly, as no carrier material has to be disposed of as hazardous waste.

The wide range of available layout commands and several character sizes allow attractive ticket designs. Using the right paper, the printer can be operated in a temperature range from -20°C to +70°C (-4°F to +158°F). Due to the specification for linerless papers, the printer can be used in the following temperature ranges: e.g. for linerless papers with the Hotmelt adhesive in a temperature range from -10°C to +40°C (14°F to 104°F) and for linerless papers with the UV Hotmelt adhesive in a temperature range from -10°C to +60°C (14°F to 140°F).

Typical applications

- Label printing, e.g. in logistic and retail

Drivers

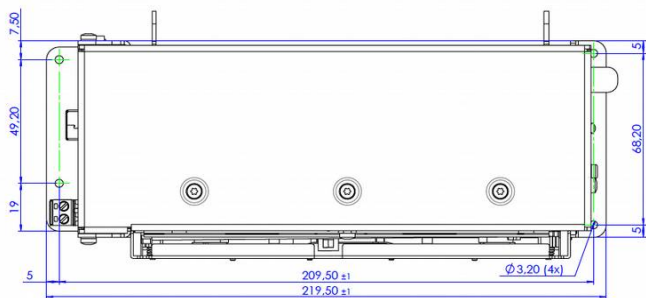
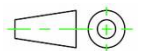
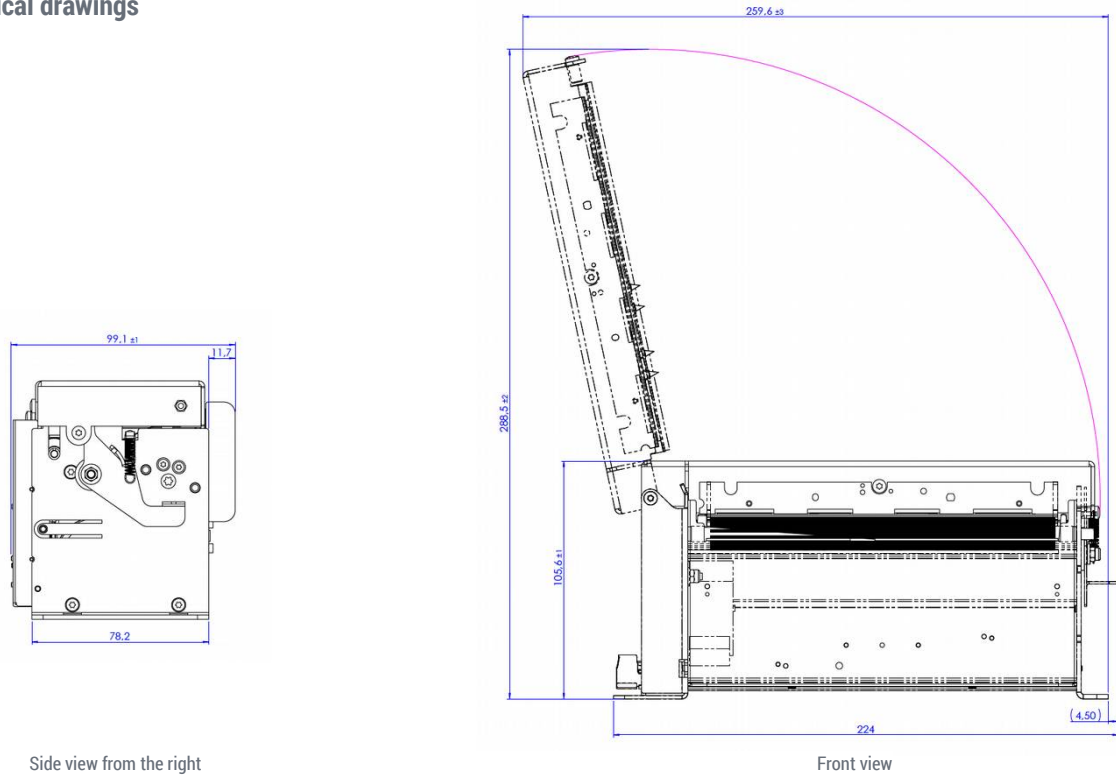
The printer controller GCT-10610 will be supported by following drivers:

- Windows[®] 7, 8, 8.1, 10, 11 and Windows[®] CE 5.0, 6.0, 7.0
- CUPS for Linux Ubuntu 16.04 LTS, 18.04 LTS, 19.04 LTS and 20.04 LTS (others on request)
- SDK for Windows[®] 7, 8, 8.1, 10, 11 and Windows[®] CE 6.0, 7.0, Android Studio up from version 3.2.1, Linux Ubuntu 16.04 LTS, 18.04 LTS, 19.04 LTS and 20.04 LTS, (others on request)

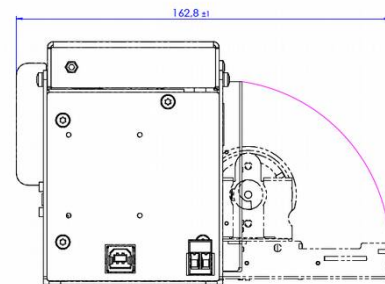
Accessory

Article number	Article description
Cable	
12538	Data round cable USB 2.0 FS, USB B to USB A, length 1,800 mm (70.87 inch)
10258	Power supply cable for 10 – 36 VDC, 2 single wires 1.0 mm ² with end splice, one side open, length 500 mm (19.69 inch)
Power supply	
14461	Power supply 24 VDC / 14.6A with shockproof plug and power supply cable
Options	
14448	Paper roll holder for paper rolls Ø 250 mm (9.84 inch) • paper width: 152 mm (5.98 inch) • with tensioner in lower position • without paper roll axis • without NPE
14449	Paper roll axis for 14448 • paper width: 152 mm (5.98 inch) • core diameter: 40 mm (1.57 inch)
14450	Paper roll axis for 14448 • paper width: 152 mm (5.98 inch) • core diameter: 76 mm (2.99 inch)
Sensors	
14187	NPE sensor with screws • without cable
14296	NPE sensor cable for 14187 with ZHR3 connector, length 300 mm (11.81 mm)
14418	NPE sensor cable for 14187 with ZHR3 connector, length 670 mm (26.38 inch)

Technical drawings



Top view



Side view from the left

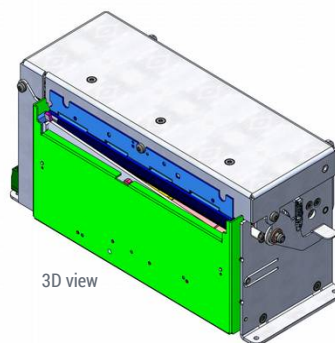
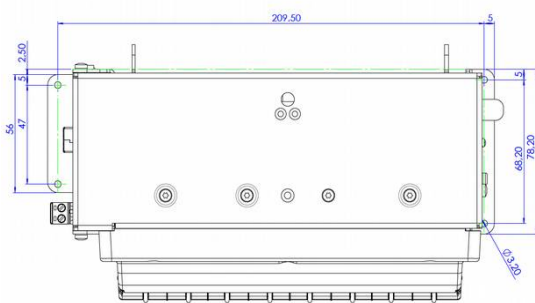
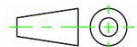
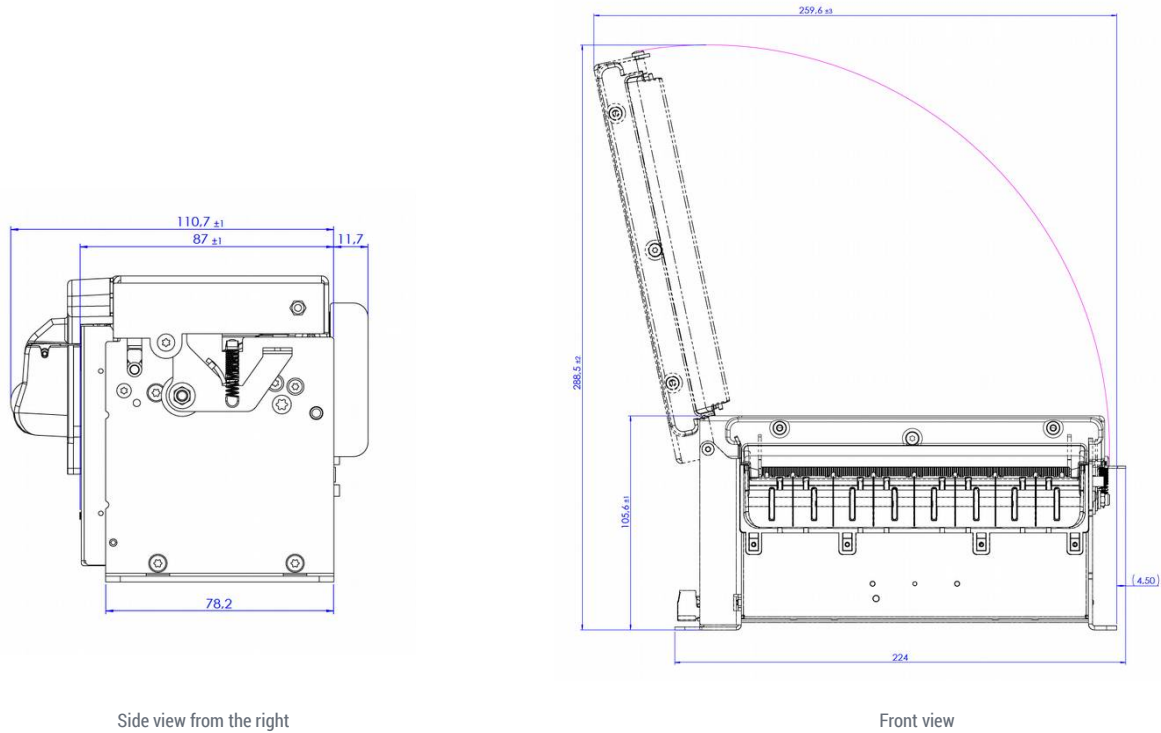
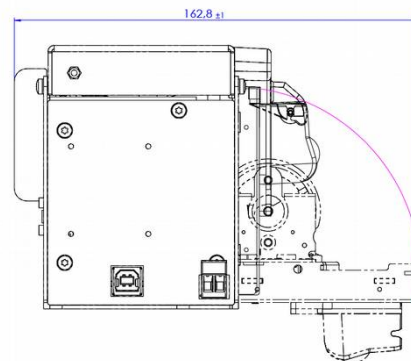


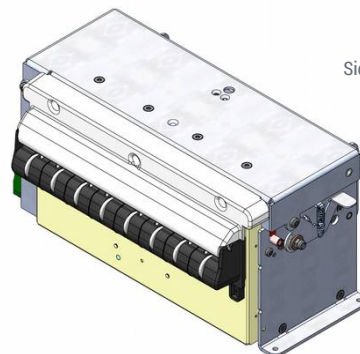
Figure 1: Dimensions GeBE-VARIO Plus Linerless GPT-18760 (for max. 151 mm paper width) in mm



Top view



Side view from the left



3D view

Figure 2: Dimensions GeBE-VARIO Plus Linerless GPT-18760-P (for max. 151 mm paper width) in mm

Technical data details

	GPT-18760-LL
Insert paper	easy paper loading
Print procedure	thermal direct print
Resolution	8 dots/mm (203dpi), 1152 dots/line
Print speed	max. 200 mm/s (7.87 inch/s), depending on printer mechanism and settings
Paper width	114 – 151 mm (4.49 – 5.94 inch), free adjustable
Print width	144 mm (5.67 inch)
Paper thickness	70 – 120 µm (2.76 – 4.72 mil)
Paper roll diameter	max. 250 mm (9.84 inch) with paper roll holder
Supply voltage	24 VDC ±10%
Current consumption print	adjustable via command: approx. 3.0 – 14.6 A (peak)
Current consumption without print	approx. 65 mA (depending on interface)
Available interfaces	USB 2.0 FS, RS232
Fonts	11 fonts extendable, UTF-able, optional: Unicode
Barcode	EAN8, EAN13, UPCA, Code39, 2of5int, Code128, QR Code
MTBF ^{*)}	100 km (62 miles) / 500,000 cuts (depending on paper)
Dimensions (W x H x D)	printer without presenter unit: 224 x 106 x 100 mm (8.82 x 4.17 x 3.94 inch)
Weight	printer without presenter unit: approx. 2,120 g
Housing	stainless steel
Environment ^{**)}	-20°C – +70°C (-4°F – +158°F) with specified paper -10°C – +40°C (14°F – 104°F), due to linerless paper specification with Hotmelt adhesive -10°C – +60°C (14°F – 140°F), due to linerless paper specification with UV Hotmelt adhesive
Humidity	10 – 90 % relative humidity, without condensation
Storage condition	-20°C – +70°C (-4°F – +158°F) at 10 – 90 % relative humidity, without condensation

^{*)} Life cycle according to mechanism testing conditions of the manufacturer with specified paper only. Please inquire. The life cycle of the print head is an averaged expectable performance and no guaranteed data. Under optimum conditions, the above listed data can be achieved using specified paper according to our documentation TI-DE-0879.

^{**)} In case the print head reaches the maximum ambient temperature, the printer will interrupt operation until cooling down and sends an error message.

The GeBE logo is a registered trademark of GeBE Elektronik und Feinwerktechnik GmbH. All other brands named in this brochure are properties of the respective companies.

The technical data given are non-committal information and do not represent any assurance of certain features. Errors and changes reserved.

This technical documentation is only valid until release of a revision. Please always request the newest documentation edition.

Our terms of payment and delivery apply.

Copyright © 2023 GeBE Elektronik und Feinwerktechnik GmbH.

All rights reserved.