



GeBE HOUSING-PRINTER

TECHNICAL INFORMATION

GPT-4344(-60)/-4444



Highlights at first sight:

- GeBE printer in DIN housing for log, receipt and label print
- easy paper handling through Easy Loading Technology
- DIN housings for assembling in rectangle norm cutouts
- with optional front door, IP54 protected
- wide power supply range 10–36 VDC
- customized versions for medium quantities, e.g. customer specific operation foil or housing colour

GeBE printer in DIN housing

The GeBE printers in DIN housing offer ideal mounting conditions with their extremely small mounting depth. Two fixing hooks are used to rapid fit the printer exactly into the rectangle cutout. Using the right paper, the printer can be used in a temperature range of -10°C to +60°C (14°F to 140°F), also outdoor.

The GeBE printers in DIN housing are mounted in a DIN 43700 housing and can optionally be supplemented with a transparent front door for dust and dirt protection.

The GPT-4444 allows a horizontal print of 832 pixel and is therefore optimum suited for documentation in industrial applications. Screenshots of control displays can be printed VGA in longitudinal direction and XVGA in landscape format.

The GPT-4344 as well as the GPT-4444 have an input power range of 10–36 VDC and therefore offer essential advantages.

Typical application

Protocol printing in machine applications and in cars

Drivers

The printer controller GCT-43610 (for C32 GPT-4344/GPT-4344-60), GCT-4392 (for A8 GPT-4344/GPT-4344-60) and GCT-44621 (for C32 GPT-4444) will be supported by following drivers:

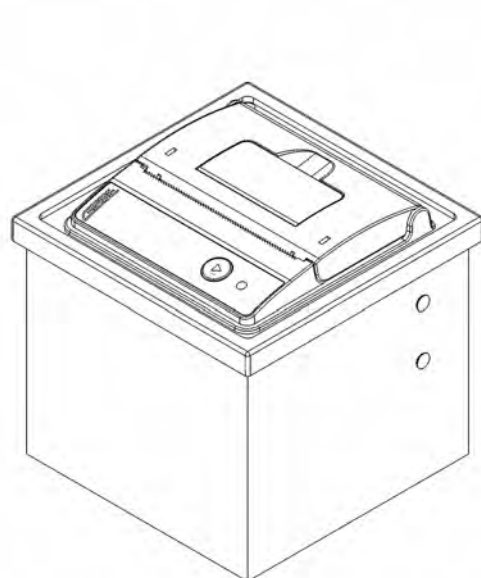
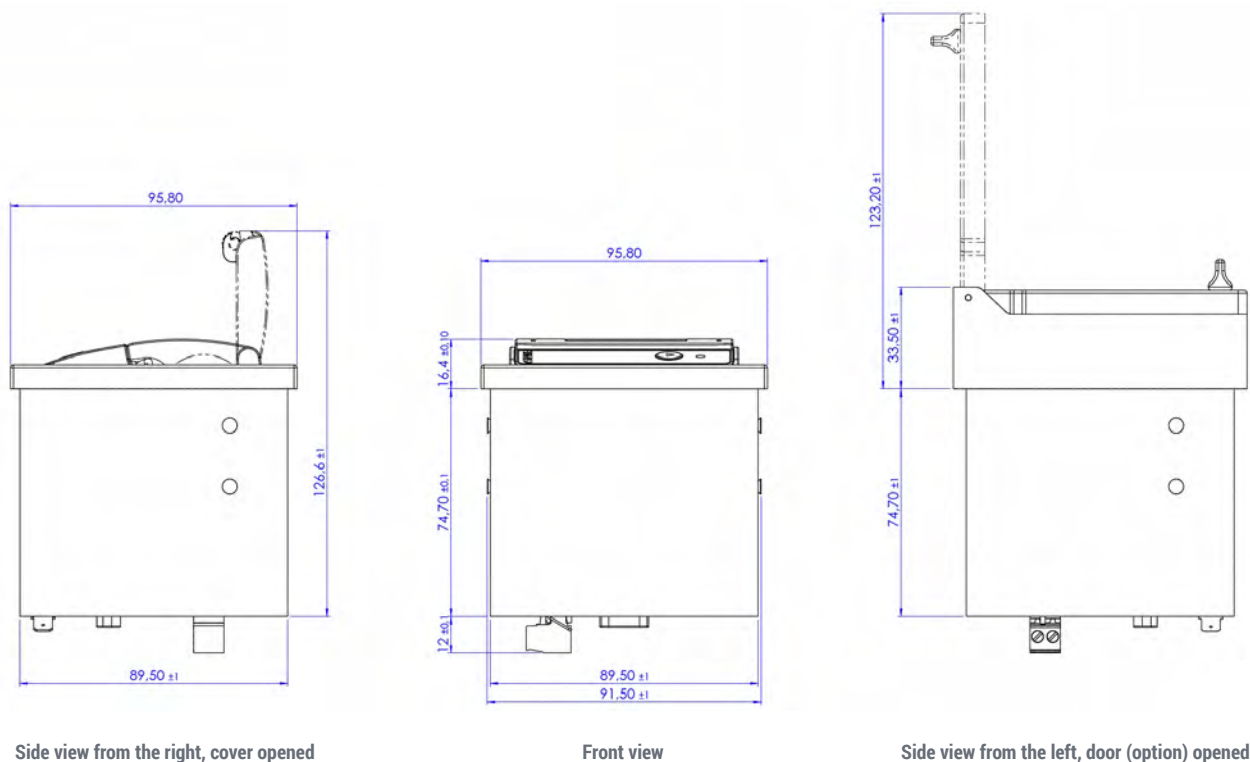
- Windows® CE 5.0, 6.0, 7.0 and Windows® 7, 8, 8.1, 10
- Cups for Linux Ubuntu 16.04 LTS (others on request)
- SDK for Windows® CE 6.0, 7.0 and Windows® 7, 8, 8.1, 10, Android Studio up from version 3.2.1, Linux Ubuntu 16.04 LTS, (others on request)

Accessory

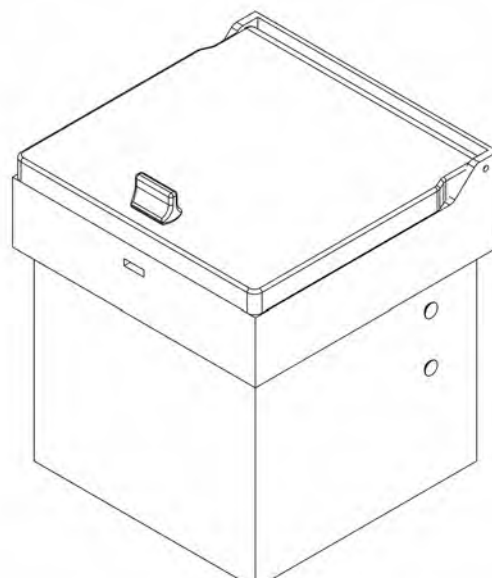
Article number	Article description	GPT-4344	GPT-4344-60	GPT-4444
Cable				
11919	Data round cable USB 2.0 FS, USB Mini-B to USB A, length 1,800 mm (70.87 inch)	x	x	
12872	Data round cable USB 2.0 FS, 5 pin, Molex to USB A, length 2,000 mm (78.74 inch)			x
12538	Data round cable USB 2.0 FS, USB B to USB A, length 1,800 mm (70.87 inch)			x
11387	Data cable RS232, 5 pin, JST SHR - one side open, length 500 mm (19.69 inch)			x
11352	Data round cable RS232, 5 pin, JST SHR to Sub-D, length 1,000 mm (39.37 inch)			x
10589	Data round cable RS232, 9 pin, 1:1 extension Sub-D to Sub-D, length 2,000 mm (78.74 inch)	x	x	x
10258	Power supply cable for 10 – 36 VDC, 2 single wires 1.0 qmm with end splice, one side open, length 500 mm (19.69 inch)	x	x	x
12082	Power supply cable for 4.5 – 8.5 VDC, 7 pin, Molex - one side open, length 250 mm (9.84 inch)			x
Power supply				
13695	Power supply for 24 VDC / 3A with shockproof plug and power supply cable	x	x	x
Spare parts				
14006	DIN housing for switchboard 96x96 mm (3.78x3.78 inch) with mounting frame	x		
14007	DIN housing for switchboard 96x144 mm (3.78x5.67 inch) with mounting frame		x	
13829	DIN housing for switchboard 192x144 mm (7.56x5.67 inch) with mounting frame			x
13463	Fixing hook for DIN housing	x	x	x
12774	Cover and lever anthracite	x		
12893	Cover and lever anthracite		x	
11892	Exchange printer mechanism incl. platen	x	x	
12116	Exchange platen	x	x	
12773	Cover and lever anthracite			x
11913	Exchange printer mechanism incl. platen			x
13020	Exchange platen			x
Options				
12646	Transparent front door IP54 with lock for DIN housing 96x96 mm (3.78x3.78 inch)	x		
11350	Transparent front door IP54 with sash fastener for DIN housing 96x96 mm (3.78x3.78 inch)	x		
10540	Transparent front door IP54 with sash fastener for DIN housing 192x144 mm (7.56x5.67 inch)			x

Article number	Article description	GPT-4344	GPT-4344-60	GPT-4444
Paper				
11347	7 years paper • roll: max. ø 31 mm (1.22 inch) • core inside: ø 7 mm (0.28 inch) • width: 56.5 ±0.5 mm (2.22 ±0.02 inch) • paper thickness: approx. 60 µm (2.36 mil) • outside coated • running length: approx. 10 m (10.94 yd)	x		
13855	10 years paper • roll: max. ø 31 mm (1.22 inch) • coreless • width: 56.5 ±0.5 mm (2.22 ±0.02 inch) • paper thickness: approx. 55 µm (2.17 mil) • outside coated • bisphenol-free and phenol-free • running length: approx. 13.5 m (14.76 yd)	x		
12033	25 years paper • roll: max. ø 31 mm (1.22 inch) • core inside: ø 7 mm (0.28 inch) • width: 56.5 ±0.5 mm (2.22 ±0.02 inch) • paper thickness: approx. 60 µm (2.36 mil) • outside coated • bisphenol-free and phenol-free • running length: approx. 11 m (12.03 yd)	x		
12428	12 years endless labels • roll: max. ø 31 mm (1.22 inch) • core inside: ø 12 mm (0.47 inch) • width: 56.5 ±0.5 mm (2.22 ±0.02 inch) • paper thickness: approx. 120 µm (4.72 mil) • outside coated • running length: 3.8 m (4.16 yd)	x		
12410	7 years paper • roll: max. ø 60 mm (2.36 inch) • core inside: ø 7 mm (0.28 inch) • width: 56.5 ±0.5 mm (2.22 ±0.02 inch) • paper thickness: approx. 60 µm (2.36 mil) • outside coated • running length: approx. 45 m (49.21 yd)		x	
12983	25 years paper • roll: max. ø 60 mm (2.36 inch) • core inside: ø 12 mm (0.47 inch) • width: 56.5 ±0.5 mm (2.22 ±0.02 inch) • paper thickness: approx. 60 µm (2.36 mil) • outside coated • running length: approx. 40 m (43.74 yd)		x	
13377	12 years single labels • roll: max. ø 60 mm (2.36 inch) • core inside: ø 25 mm (0.98 inch) • width: 57.3 ±0.5 mm (2.26 ±0.02 inch) • paper thickness: approx. 128 µm (5.04 mil) • outside coated • size: 52.5x50.8 ±0.5 mm (2.07x2.00 ±0.02 inch) • approx. 335 labels		x	
12028	7 years paper • roll: max. ø 60 mm (2.36 inch) • core inside: ø 25 mm (0.98 inch) • width: 113.5 ±0.5 mm (4.47 ±0.02 inch) • paper thickness: approx. 80 µm (3.15 mil) • outside coated • running length: approx. 25 m (27.34 yd)			x
12988	10 years paper • roll: max. ø 60 mm (2.36 inch) • core inside: ø 25 mm (0.98 inch) • width: 113.5 ±0.5 mm (4.47 ±0.02 inch) • paper thickness: approx. 80 µm (3.15 mil) • outside coated • running length: approx. 22 m (24.06 yd)			x
12346	12 years single labels • roll: max. ø 60 mm (2.36 inch) • core inside: ø 25 mm (0.98 inch) • width: 113.5 ±0.5 mm (4.47 ±0.02 inch) • paper thickness: approx. 128 µm (5.04 mil) • outside coated • size: 109.5x76.2 ±0.5 mm (4.31x3.00 ±0.02 inch) • approx. 210 labels			x
Customising				
13015	Customer specific operation foil	x	x	
13667	Housing in special colour RAL	x		
13668	Housing in special colour RAL		x	
12173	Customer specific operation foil			x
13669	Housing in special colour RAL			x

Technical drawings



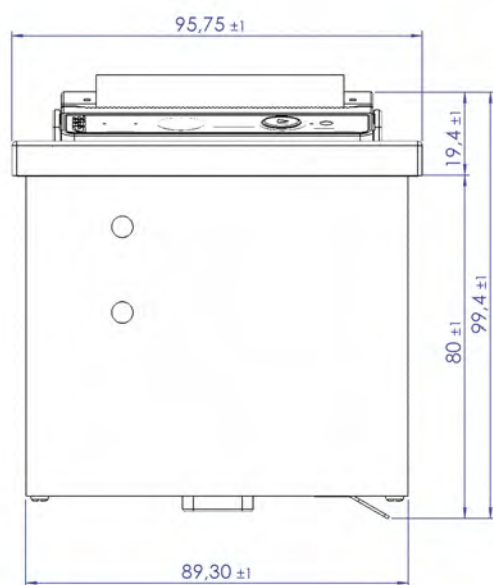
3D view



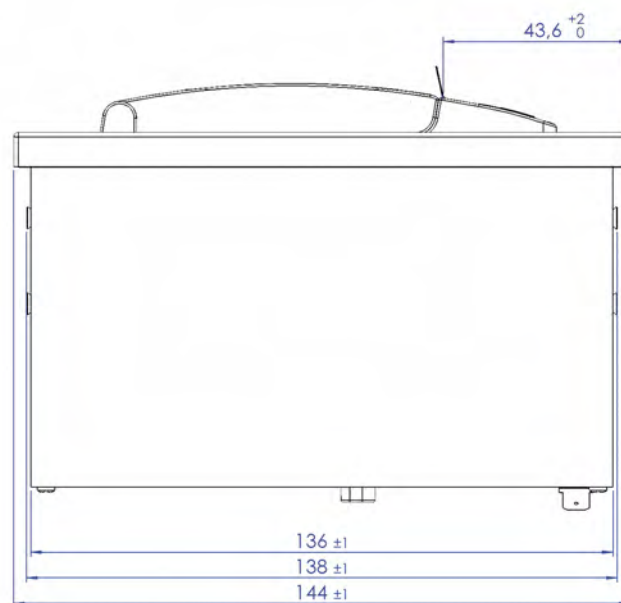
3D view, door (option) closed

Figure 1: Dimensions GPT-4344 printer in DIN housing in mm

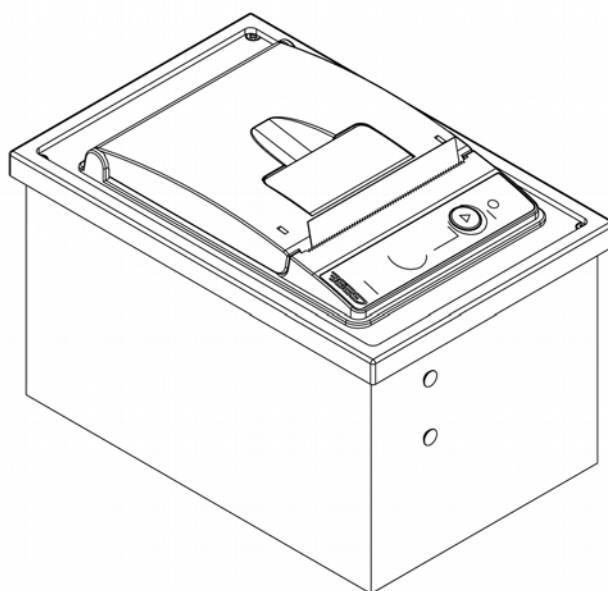




Front view



Side view from the left



3D view

Figure 2: Dimensions GPT-4344-60 printer in DIN housing in mm



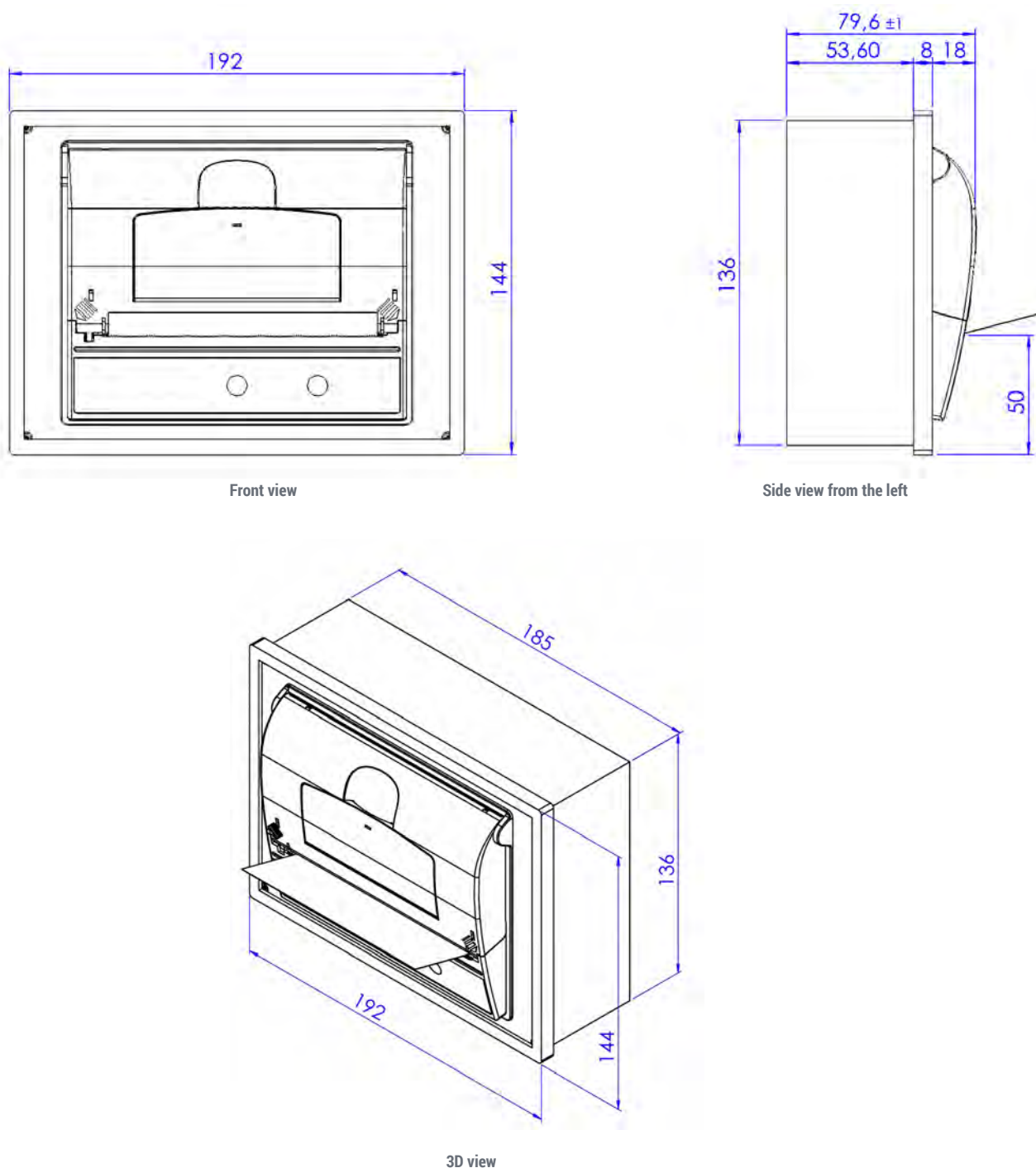


Figure 3: Dimensions GPT-4444 printer in DIN housing in mm



Technical data details

	GPT-4344	GPT-4344-60	GPT-4444 (C32 only)
Insert paper	easy paper loading		
Print procedure	thermal direct print		
Resolution	8 dots/mm (203dpi), 384 dots/line		8 dots/mm (203dpi), 832 dots/line
Print speed	A8	max. 50 mm/s (1.97 inch/s)	- / -
	C32	max. 90 mm/s (3.54 inch/s)	max. 70 mm/s (2.76 inch/s)
Paper width	56.5 ±0.5 mm (2.22 ±0.02 inch)		113.5 ±0.5 mm (4.47 ±0.02 inch)
Print width	48 mm (1.89 inch)		104 mm (4.09 inch)
Paper thickness	50 - 70 µm (1.97 - 2.76 mil) or GeBE thin labels		70 - 100 µm (2.76 - 3.94 mil) or GeBE thin labels
Paper length	approx. 11 m (12.03 yd)	approx. 43 m (47.03 yd)	
Paper roll diameter	max. 31 mm (1.22 inch)	max. 60 mm (2.36 inch)	
Supply voltage	10 - 36 VDC with DC/DC converter		4.5 - 8.5 VDC and 10 - 36 VDC with DC/DC converter
Current consumption print	adjustable via command: 0.7 - 6.0 A (peak)		
Current consumption without print	A8	approx. 45 mA (depending on interface)	- / -
	C32	approx. 60 mA (depending on interface)	
Available interfaces	USB 2.0 FS, RS232		
Fonts	A8	IBMII 24, 32, 42, 48, 54 characters/line, extendable	- / -
	C32	23 fonts extendable, UTF-able	
Barcode	A8	EAN13, Code39, 2of5int, optional on request: EAN8, Code 128c, PDF417	- / -
	C32	EAN8, EAN13, UPCA, Code39, 2of5int, Code 128, QR-Code	
MTBF*)	50 km (31 miles)		
Dimensions (W x H x D)	96 x 96 x 91 mm (3.78 x 3.78 x 3.58 inch)	96 x 144 x 96 mm (3.78 x 5.67 x 3.78 inch)	192 x 144 x 80 mm (7.56 x 5.67 x 3.15 inch)
Weight without door / without paper roll	approx. 300 g	approx. 390 g	approx. 580 g
Housing	plastics / aluminium		
Environment**)	-10°C - +60°C (14°F - 140°F) with specified paper		
Humidity	10 - 90 % relative humidity, without condensation		
Storage condition	-20°C - +70°C (-4°F - +158°F) at 10 - 90 % relative humidity, without condensation		

*) Life cycle according to mechanism testing conditions of the manufacturer with specified paper only. Please inquire. The life cycle of the print head is an averaged expectable performance and no guaranteed data. Under optimum conditions, the above listed data can be achieved using specified paper according to our documentation TI-DE-0606.

**) In case the print head reaches the maximum ambient temperature, the printer will interrupt operation until cooling down and sends an error message.

The GeBE logo is a registered trademark of GeBE Elektronik und Feinwerktechnik GmbH. All other brands named in this brochure are properties of the respective companies. The technical data given are non-committal information and do not represent any assurance of certain features. Errors and changes reserved. This technical documentation is only valid until release of a revision.

Please always request the newest documentation edition.

Our terms of payment and delivery apply.

Copyright © 2020 GeBE Elektronik und Feinwerktechnik GmbH.

All rights reserved.