



GeBE-MULDE Mini

GPT-4352(-60)

TECHNICAL INFORMATION



Highlights at first sight:

- extremely compact front panel thermal printer for paper width of 56 mm
- suitable for paper roll diameter 31 mm or 60 mm
- ideal for protocol, receipt and label printing
- easy paper handling through Easy Loading Technology
- customized versions for medium quantities, e.g. customer specific operation foil or housing colour
- high-speed printing up to 90 mm/s (with system C32)

The GeBE-MULDE Mini

The front panel thermal printer GeBE-MULDE Mini GPT-4352(-60) adapts to diverse preconditions and integration situations. Two different controller concepts are available (A8 and C32). The version with C32 controller additionally offers a test-button for further functions. The space-saving printer is compatible to PCL3 graphics and offers a variety of communication interfaces. A wide range of available layout commands and several character sizes allow attractive ticket design.

The paper roll of \varnothing 31 mm (1.22 inch) serves 11 m (12.03 yd) printouts, the \varnothing 60 mm (2.36 inch) paper roll stores approximately 43 m (47.03 yd) length – the quadruple amount. The GeBE-MULDE Mini GPT-4352-60 also prints on self-adhesive labels. Using the right paper, the printer can be operated in a temperature range of -10°C to +60°C (14°F to 140°F).

Typical application

- Protocol printing, e.g. in machines, for measurement technical targets or documentation
- Receipt printing, e.g. at POS or in accounting systems at hotel receptions

Drivers

The printer controller GCT-439x (A8) and GCT-4361x (C32) will be supported by following drivers:

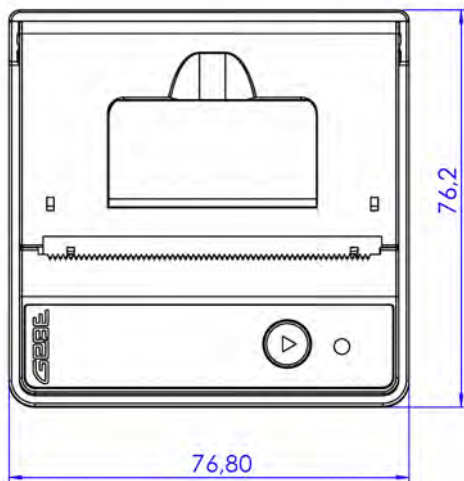
- Windows[®] CE 5.0, 6.0, 7.0 and Windows[®] 7, 8, 8.1, 10
- Cups for Linux Ubuntu 16.04 LTS (others on request)
- SDK for Windows[®] CE 6.0, 7.0 and Windows[®] 7, 8, 8.1, 10, Android Studio up from version 3.2.1, Linux Ubuntu 16.04 LTS, (others on request)

Accessory

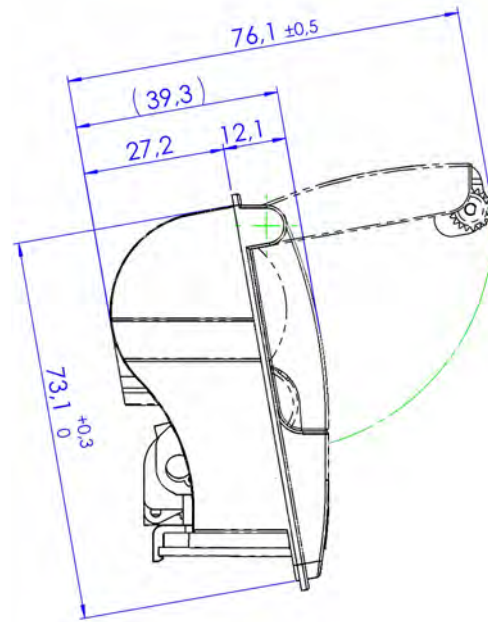
Article number	Article description	GPT-4352	GPT-4352-60
Cable			
12872	Data round cable USB 2.0 FS, 5 pin, Molex to USB A, length 2,000 mm (78.74 inch)	x	x
11352	Data round cable RS232, 5 pin, JST SHR to Sub-D, length 1,000 mm (39.37 inch)	x	x
11387	Data cable RS232, 5 pin, JST SHR - one side open, length 500 mm (19.69 inch)	x	x
10258	Power supply cable for 10 – 36 VDC, 2 single wires 1.0 qmm with end splice, one side open, length 500 mm (19.69 inch)	C32	C32
12451	Power supply cable for 10 – 36 VDC, 6 pin, JST SHR - one side open, length 250 mm (9.84 inch)	x	x
11353	Power supply cable for 4.5 – 8.5 VDC, 7 pin, JST SHR - one side open, length 250 mm (9.84 inch)	x	x
Power supply			
13695	Power supply 24 VDC / 3A with shockproof plug and power supply cable	x	x
13696	Power supply 5 VDC / 5A with shockproof plug and power supply cable	x	x
12618	DC/DC 10 – 36 VDC converter, mounted in GPT-4352, alternatively in case of small mounting depth	x	
Spare parts			
12774	Cover and lever anthracite	x	
12893	Cover and lever anthracite		x
11892	Exchange printer mechanism incl. platen	x	x
12116	Exchange platen	x	x
Options			
11414	Mounting frame for GPT-4352 in DIN housing 96x96 mm (3.78x3.78 inch) incl. fastening screws	x	
11415	Mounting frame for GPT-4352 in 3HE 19" rack incl. fastening screws	x	
12610	Mounting frame for GPT-4352-60 in 3HE 19" rack incl. fastening screws		x
12561	Interface converter ethernet to V.24, 8 –36 VDC power supply (on request)	x	x

Article number	Article description	GPT-4352	GPT-4352-60
Paper			
11347	7 years paper • roll: max. \varnothing 31 mm (1.22 inch) • core inside: \varnothing 7 mm (0.28 inch) • width: 56.5 \pm 0.5 mm (2.22 \pm 0.02 inch) • paper thickness: approx. 60 μ m (2.36 mil) • outside coated • running length: approx. 10 m (10.94 yd)	x	
13855	10 years paper • roll: max. \varnothing 31 mm (1.22 inch) • coreless • width: 56.5 \pm 0.5 mm (2.22 \pm 0.02 inch) • paper thickness: approx. 55 μ m (2.17 mil) • outside coated • bisphenol-free and phenol-free • running length: approx. 13.5 m (14.76 yd)	x	
12033	25 years paper • roll: max. \varnothing 31 mm (1.22 inch) • core inside: \varnothing 7 mm (0.28 inch) • width: 56.5 \pm 0.5 mm (2.22 \pm 0.02 inch) • paper thickness: approx. 60 μ m (2.36 mil) • outside coated • bisphenol-free and phenol-free • running length: approx. 11 m (12.03 yd)	x	
12428	12 years endless labels • roll: max. \varnothing 31 mm (1.22 inch) • core inside: \varnothing 12 mm (0.47 inch) • width: 56.5 \pm 0.5 mm (2.22 \pm 0.02 inch) • paper thickness: approx. 120 μ m (4.72 mil) • outside coated • running length: 3.8 m (4.16 yd)	x	
12410	7 years paper • roll: max. \varnothing 60 mm (2.36 inch) • core inside: \varnothing 7 mm (0.28 inch) • width: 56.5 \pm 0.5 mm (2.22 \pm 0.02 inch) • paper thickness: approx. 60 μ m (2.36 mil) • outside coated • running length: approx. 45 m (49.21 yd)		x
12983	25 years paper • roll: max. \varnothing 60 mm (2.36 inch) • core inside: \varnothing 12 mm (0.47 inch) • width: 56.5 \pm 0.5 mm (2.22 \pm 0.02 inch) • paper thickness: approx. 60 μ m (2.36 mil) • outside coated • running length: approx. 40 m (43.74 yd)		x
13377	12 years single labels • roll: max. \varnothing 60 mm (2.36 inch) • core inside: \varnothing 25 mm (0.98 inch) • width: 57.3 \pm 0.5 mm (2.26 \pm 0.02 inch) • paper thickness: approx. 128 μ m (5.04 mil) • outside coated • size: 52.5x50.8 \pm 0.5 mm (2.07x2.00 \pm 0.02 inch) • approx. 335 labels		x
Customising			
13015	Customer specific operation foil	x	x
13667	Housing in special colour RAL	x	
13668	Housing in special colour RAL		x

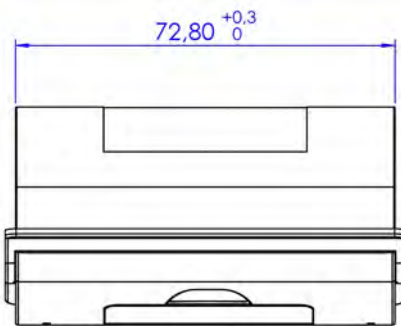
Technical drawings



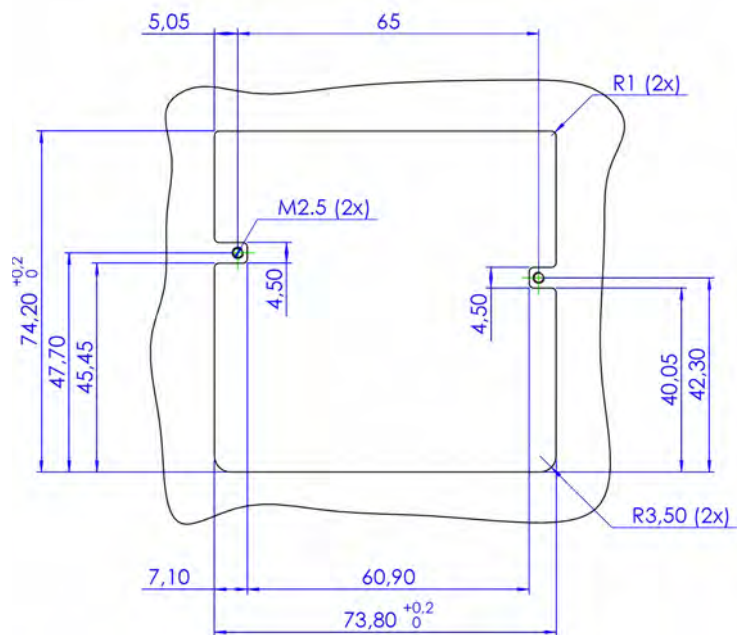
Front view



Side view from the left, cover opened



Top view



Installation cutout

Figure 1: Dimensions GeBE-MULDE Mini GPT-4352 (max. \varnothing 31 mm paper roll) in mm



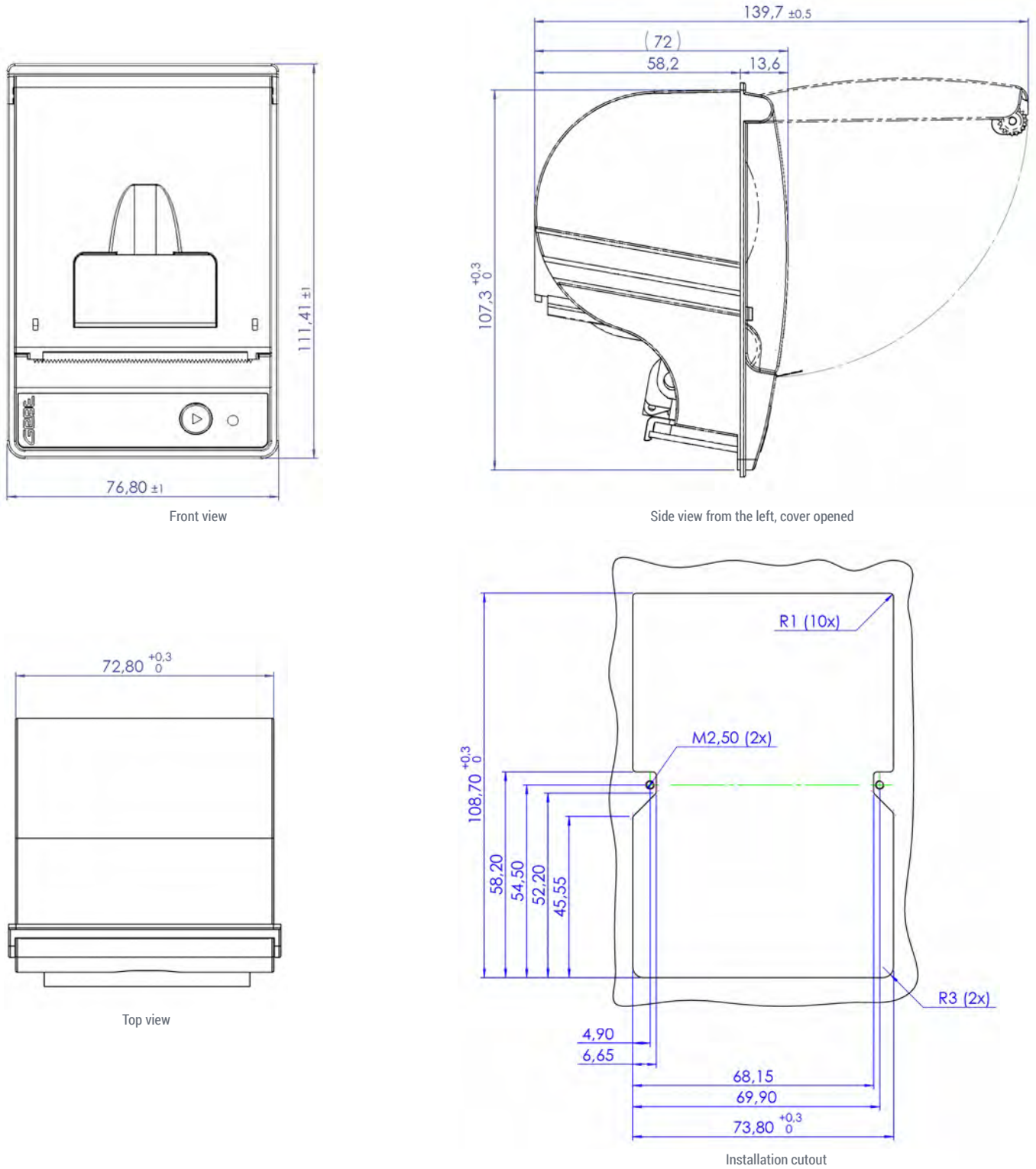


Figure 2: Dimensions GeBE-MULDE Mini GPT-4352-60 (max. \varnothing 60 mm paper roll) in mm



Technical data details

	GPT-4352-31 C32	GPT-4352-60 C32	GPT-4352-31 A8	GPT-4352-60 A8
Insert paper	easy paper loading			
Print procedure	thermal direct print			
Resolution	8 dots/mm (203dpi), 384 dots/line			
Print speed	max. 90 mm/s (3.54 inch/s)		max. 50 mm/s (1.97 inch/s)	
Paper width	56.5 ±0.5 mm (2.22 ±0.02 inch)			
Print width	48 mm (1.89 inch)			
Paper thickness	50 – 70 µm (1.97 – 2.76 mil) or GeBE thin labels			
Paper length	approx. 11 m (12.03 yd)	approx. 43 m (47.03 yd)	approx. 11 m (12.03 yd)	approx. 43 m (47.03 yd)
Paper roll diameter	max. 31 mm (1.22 inch)	max. 60 mm (2.36 inch)	max. 31 mm (1.22 inch)	max. 60 mm (2.36 inch)
Supply voltage	4.5 – 8.5 VDC or 10 – 36 VDC with DC/DC converter		4.5 – 6.5 VDC or 10 – 36 VDC with DC/DC converter	
Current consumption print	adjustable via command: approx. 0.7 – 6.0 A (peak)			
Current consumption without print	approx. 60 mA (depending on interface)		approx. 45 mA (depending on interface)	
Available interfaces	USB 2.0 FS, RS232 or TTL 3.3 V		USB 2.0 FS or RS232 or TTL	
Fonts	23 fonts extendable, UTF-able		IBMII 24, 32, 42, 48, 54 characters/line, extendable	
Barcode	EAN8, EAN13, UPCA, Code39, 2of5int, Code 128, QR Code		EAN13, Code39, 2of5int optional on request: EAN8, Code 128c, PDF417	
MTBF*)	50 km (31 miles)			
Dimensions (W x H x D)	77 x 77 x 40 mm (3.03 x 3.03 x 1.57 inch)	77 x 112 x 72 mm (3.03 x 4.41 x 2.83 inch)	77 x 77 x 40 mm (3.03 x 3.03 x 1.57 inch)	77 x 112 x 72 mm (3.03 x 4.41 x 2.83 inch)
with DC/DC converter (W x H x D)	77 x 77 x 58 mm (3.03 x 3.03 x 2.28 inch)		77 x 77 x 58 mm (3.03 x 3.03 x 2.28 inch)	
Weight incl. paper roll	approx. 150 g	approx. 260 g	approx. 150 g	approx. 260 g
Housing	ABS	PA6 with 15% glass fibre	ABS	PA6 with 15% glass fibre
	colour anthracite similar to RAL 7016			
Environment**)	-10°C – +60°C (14°F – 140°F) with specified paper			
Humidity	10 – 90 % relative humidity, without condensation			
Storage condition	-20°C – +70°C (-4°F – +158°F) at 10 – 90 % relative humidity, without condensation			

*) Life cycle according to mechanism testing conditions of the manufacturer with specified paper only. Please inquire. The life cycle of the print head is an averaged expectable performance and no guaranteed data. Under optimum conditions, the above listed data can be achieved using specified paper according to our documentation TI-DE-0606.

**) In case the print head reaches the maximum ambient temperature, the printer will interrupt operation until cooling down and sends an error message.

The GeBE logo is a registered trademark of GeBE Elektronik und Feinwerktechnik GmbH. All other brands named in this brochure are properties of the respective companies. The technical data given are non-committal information and do not represent any assurance of certain features. Errors and changes reserved. This technical documentation is only valid until release of a revision.

Please always request the newest documentation edition.

Our terms of payment and delivery apply.

Copyright © 2020 GeBE Elektronik und Feinwerktechnik GmbH.

All rights reserved.