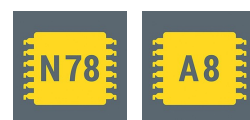




## GeBE HOUSING-PRINTER

## GPT-4344/-4346/-4444

### TECHNICAL INFORMATION



### Highlights at first sight:

- GeBE-DIN housing control panel built-in thermal printer for log, receipt and label print
- simple paper handling through Easy Loading Technology
- DIN housings for assembling in rectangle norm cutouts
- available housing diameters 96 x 96 /144 x 144 mm with optional front door IP42 protected
- 96 x 192 mm housing with extensive sight platform and paper rewinder
- wide power supply range 10 – 36 V
- customized versions for small quantities, e.g. operation foil or housing colour

## GeBE-DIN Control Panel-Built-In-Printer

The thermal GeBE-DIN Control Panel Built-In printers offers ideal mounting conditions with their extremely little installation depth of only 75 mm. Two clips are used to rapid fit the printer exactly into the rectangle cutout.

Using the right paper, the printer can be used in a temperature range of -10°C to +60°C, also Outdoor.

The GPT-4344 control panel printer is mounted in a DIN 43700 housing and can optionally be supplemented with a transparent front door for dust and dirt protection. This protection door is standard included in the delivery content of the printer GPT-4346. The printed values are shown on the extra long tailored sight platform.

The GPT-4444 allows a horizontal print of 832 pixel and is therefore optimum suited for documentation in industrial applications. Screenshots of control displays can be printed VGA in longitudinal direction and X VGA in landscape format.

The GPT-4344 as well as the GPT-4346 have an input power range of 10-36V (maximum ratings 8-40V) and therefore offer essential advantages:

### Typical application

Protocol printing in machines and in cars

### Accessories

- door for GPT-4344 (art. no. 11350) and GPT-4444 (IP42) (art. no. 10540)
- door with lock for GPT-4344 (art. no. 12646)

### Drivers

The printer controller GCT-439x will be supported by following drivers: Windows® XP, 7, 8, 8.1, 10

Also on request: Windows® CE 5.0, 6.0, 7.0 and Unix über Cups für Linux und Mac OS

## Technical drawings

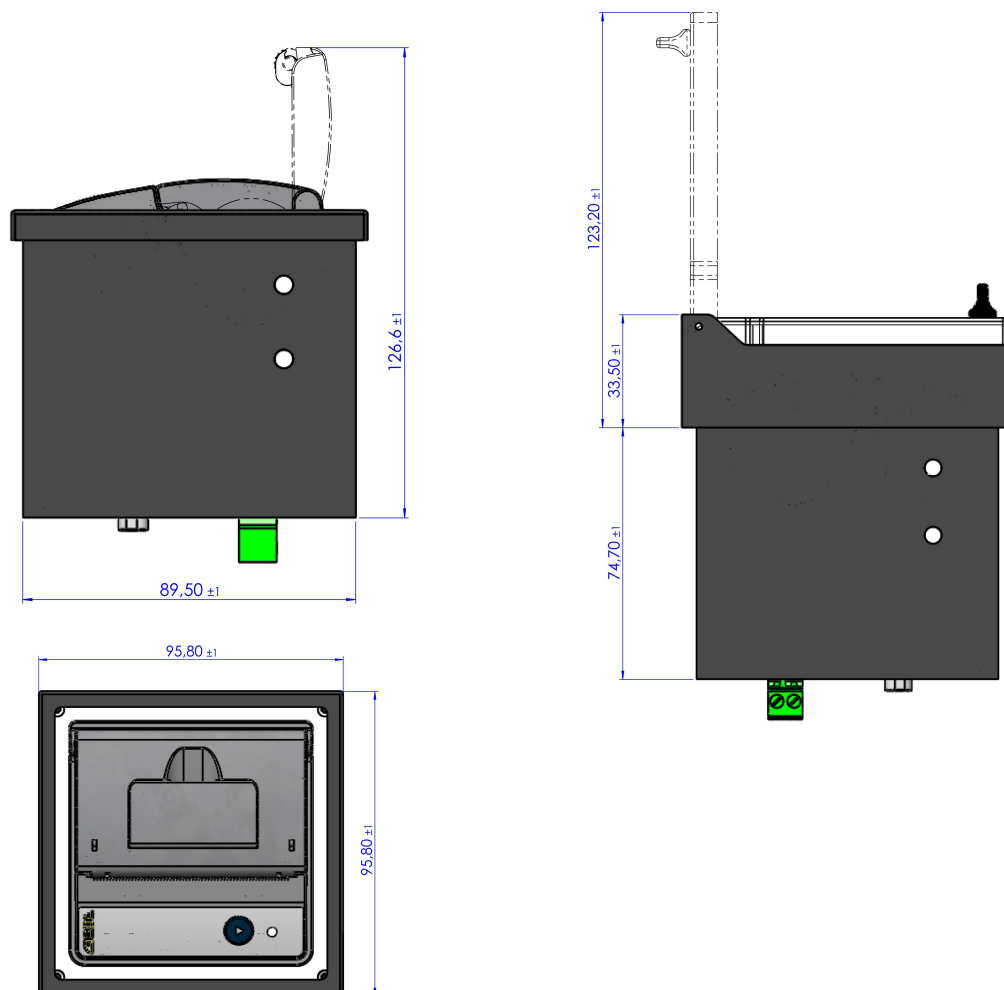


Figure 1: Dimensions in mm for GPT-4344 thermal printer built in DIN-housing

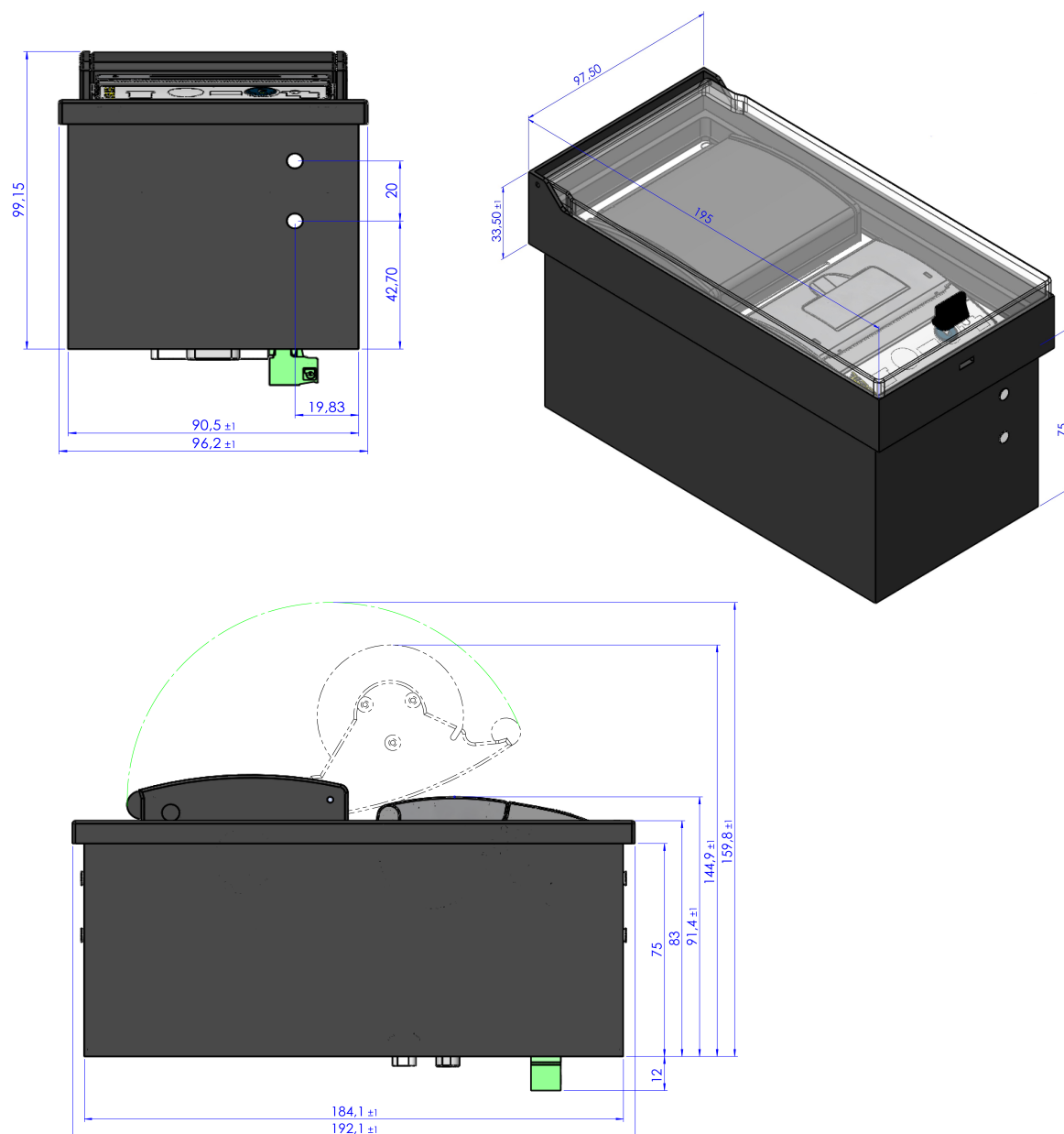


Figure 2: Dimensions in mm for GPT-4346 thermal printer built in DIN-housing

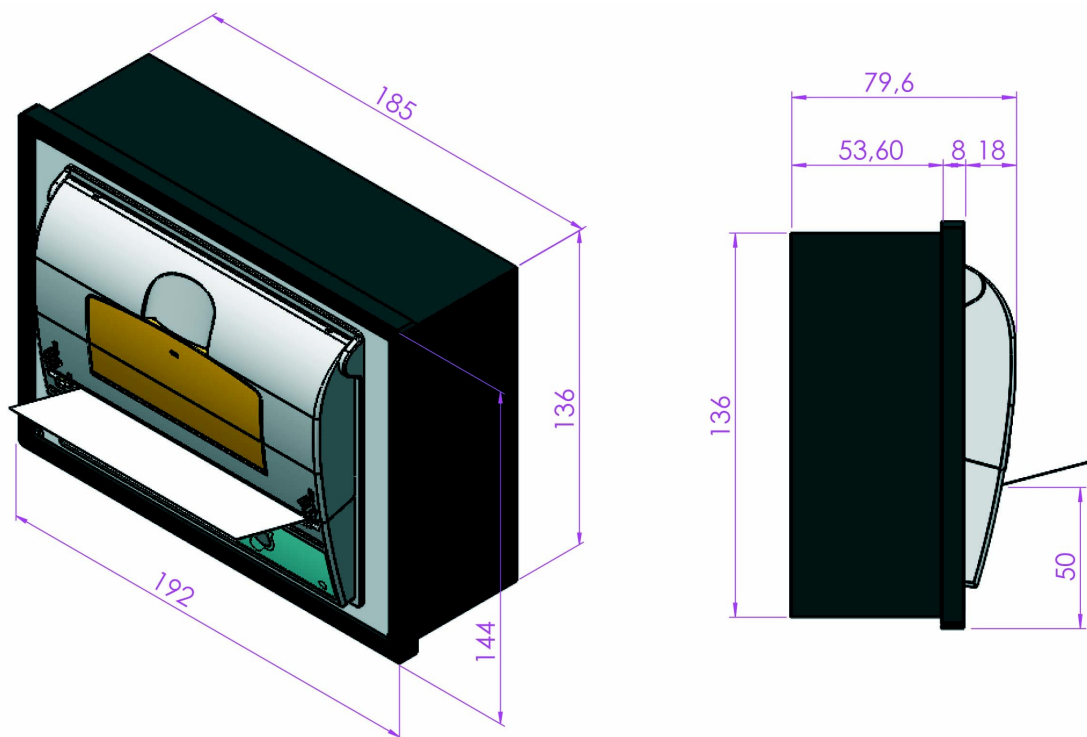


Figure 3: Dimensions in mm for GPT-4444 thermal printer built in DIN-housing

## Technical data details

	GPT-4344	GPT-4346	GPT-4444
Insert paper	Easy Paper Loading		
Print procedure	Thermal direct print		
Resolution	8 dots/mm (203dpi), 384 dots/line		8 dots/mm (203dpi), 832 dots/line
Print speed	max. 50 mm/s (1.97 inch/s)		max. 60 mm/s (2.36 inch/s)
Paper / print width	58 / 48 mm (2.28 / 1.89 inch)		112 / 104 mm (4.41 / 4.09 inch)
Paper thickness	55 – 65 µm (2.17 – 2.56 mil), thin labels		70 – 100 µm (2.76 – 2.94 mil), thin labels
Supply voltage	10 – 36 VDC		10 - 18 VDC or 18 – 36 VDC
Max. current during print	Adjustable via command: 0.7 – 6.0 A		
Current consumption during standby / sleep	5 – 10 mA / 0.1 – 2 mA (depending on interface)		
Available interfaces	RS232, USB		RS232, USB optional: Centronics, Ethernet
Fonts	IBM II 24, 32, 42, 54 characters/line		
Bar code	Code 39, 2of5 int., EAN13, EAN8		
MTBF*	50 km (31.07 mile)		
Dimensions	96x96x107 mm (3.78x3.78x4.21 inch)	194x98x107 mm (7.64x3.86x4.21 inch)	144x192x85 mm (5.67x7.56x3.35 inch with door)
Weight	ca. 260 g incl. paper roll	ca. 530 g incl. paper roll	ca. 500 g incl. paper roll
Paper roll diameter	max. 31 mm (1.22 inch)		max. 60 mm (2.36 inch)
Housing	plastics / aluminium		
Environment	-10°C – +60°C (14°F – 140°F) with specified paper		

\*) Life cycle according to mechanism testing conditions of the manufacturer with specified paper only. Please inquire. The life cycle of the print head is an averaged expectable performance and no guaranteed data. Under optimum conditions, the above listed data can be achieved using specified paper according to our documentation KI-605.

The GeBE logo is a registered trademark of GeBE Elektronik und Feinwerktechnik GmbH. All other brands named in this brochure are properties of the respective companies. The technical data given are non-committal information and do not represent any assurance of certain features. Errors and changes reserved. This technical documentation is only valid until release of a revision. Please always request the newest documentation edition.

Our terms of payment and delivery apply.  
Copyright © 2017 GeBE Elektronik und Feinwerktechnik GmbH.  
All rights reserved.