



GeBE-COMPACT Plus

GPT-4673-PO-SCAN

TECHNICAL INFORMATION



Highlights at first sight:

- 3" built-in thermal printer with presenter and retract function
- With 1D barcode scanner integrated in paper guide for paper tracking
- Robust stainless steel housing with illuminable bezel in green or white transparent
- Cutter for full and partial cut for paper thickness 70 – 115 µm
- Suitable for bus/train ticket printing with text, graphics and barcodes
- For paper width 86 mm and ISO tickets in landscape format on request
- High quality print of up to 300 dpi with speed up to 250 mm/s

The GeBE-COMPACT Plus SCAN

The built-in thermal printer GeBE-COMPACT Plus GPT-4673-PO-SCAN is tailored for a paper thickness up to 115 µm and also processes preprinted tickets.

The barcode scanner is integrated in the paper guide and scans barcodes on the paper back side for paper tracking.

The printer can be combined with the bezel and an exit sensor incl. fixing plate.

In contrast to the designs common on the market, the new bezel offers greater protection against vandalism and screw-free insertion into a housing front.

The GeBE-COMPACT Plus presenter unit can completely confiscate a not removed printout (e.g. ticket) after a programmed time. In addition, the fast printout "presenting" prevents damage to printer mechanism and cutter, caused by impatient pulling when removing a ticket.

Blackmarks exactly control the printing process (e.g. text in preprinted tickets). The wide range of available layout commands and several character sizes allows attractive ticket designs.

Using the right paper, the printer can be operated in a temperature range of -20°C to +60°C (-4°F to +140°F), also for outdoor applications.

Typical applications

- Ticket printing in vending machines, e.g. train ticket

Drivers

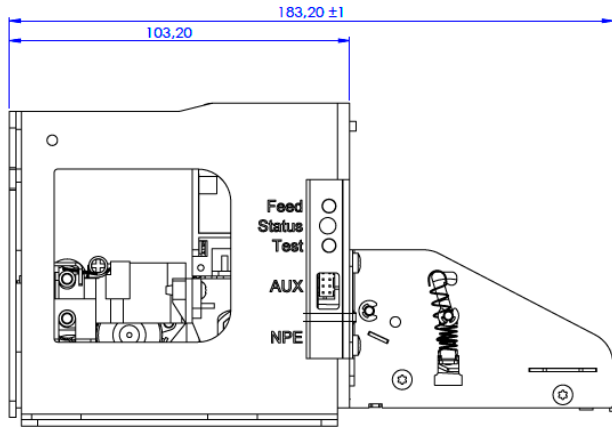
The printer controller GCT-46630 will be supported by following drivers:

- Windows[®] 7, 8, 8.1, 10
- Windows[®] CE 5.0, 6.0, 7.0
- CUPS for Linux Ubuntu 16.04 LTS, 18.04 LTS, 19.04 LTS and 20.04 LTS (others on request)
- SDK for Windows[®] 7, 8, 8.1, 10 and Windows[®] CE 6.0, 7.0, Android Studio up from version 3.2.1, Linux Ubuntu 16.04 LTS, 18.04 LTS, 19.04 LTS and 20.04 LTS, (others on request)

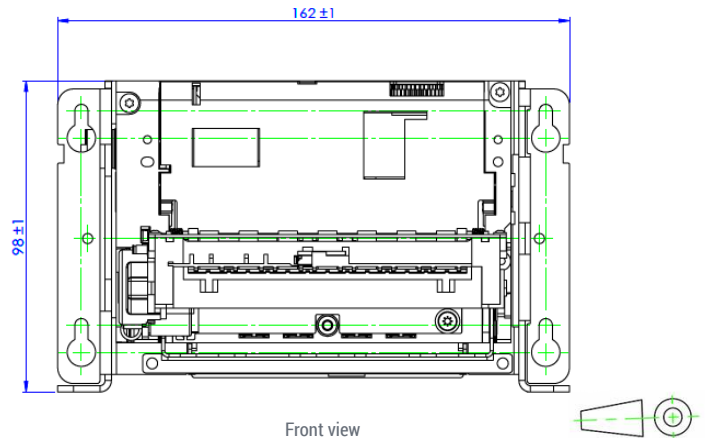
Accessory

Article number	Article description
Cable	
12872	Data round cable USB 2.0 FS, 5 pin, Molex to USB A, length 2,000 mm (78.74 inch)
11352	Data round cable RS232, 5 pin, JST SHR to Sub-D, length 1,000 mm (39.37 inch)
11387	Data cable RS232, 5 pin, JST SHR - one side open, length 500 mm (19.69 inch)
10258	Power supply cable for 10 – 36 VDC, 2 single wires 1.0 mm ² with end splice, one side open, length 500 mm (19.69 inch)
Power supply	
13694	Power supply 24 VDC / 6.5A with shockproof plug and power supply cable
Spare parts	
14162	Platen
Options	
14166	Green bezel with mounting plate (plastic)
14241	White transparent bezel with mounting plate (plastic)
14206	Exit sensor incl. fixing plate for 3" presenter and controller with PHDR8 connector

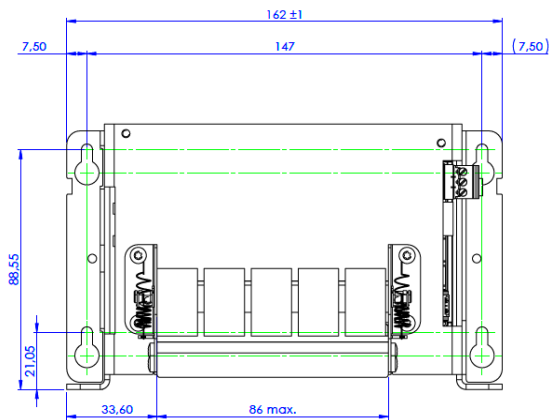
Technical drawings



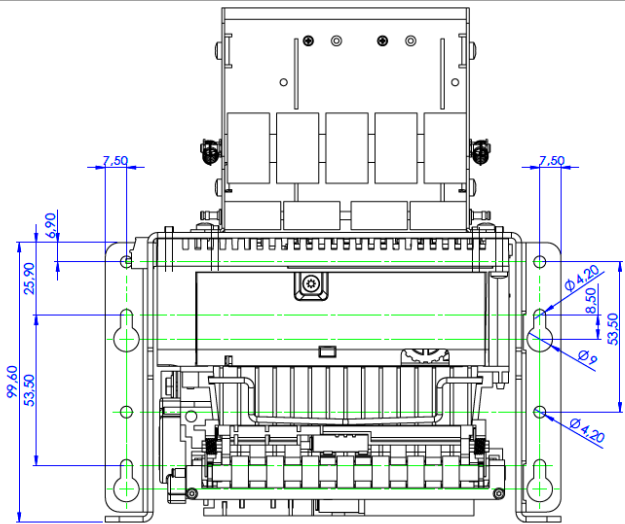
Side view from the right



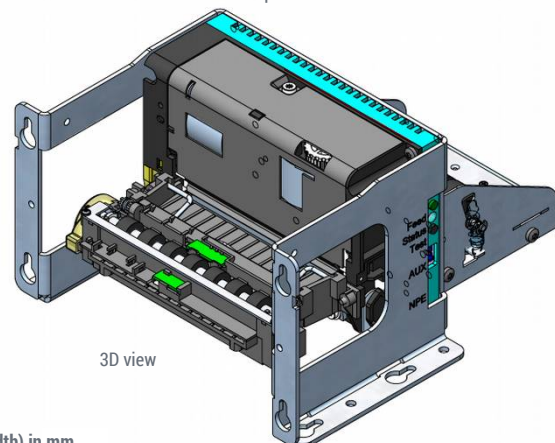
Front view



Back view



Top view



3D view

Figure 1: Dimensions GeBE-COMPACT Plus GPT-4673-PO-SCAN (for max.86 mm paper width) in mm

Technical data details

	GPT-4673-PO-SCAN
Insert paper	auto paper loading
Print procedure	thermal direct print
Resolution	12 dots/mm (300 dpi), 960 dots/line
Print speed	max. 250 mm/s (9.84 inch/s), depending on printer mechanism and settings
Paper width	max. 86 mm (3.39 inch)
Print width	81.3 mm (3.20 inch)
Paper thickness	70 – 115 µm (2.76 – 4.53 mil)
Supply voltage	24 VDC ±10%
Current consumption print	adjustable via command: approx. 3.0 – 6.5 A (peak)
Current consumption without print	approx. 30 mA (depending on interface)
Available interfaces	USB 2.0 FS, RS232
Sensors	PE, blackmark and 1D scanner (resolution: 10 mil)
Fonts	11 fonts extendable, UTF-able, optional: Unicode
Barcode	EAN8, EAN13, UPCA, Code39, 2of5int, Code128, QR Code
MTBF*)	100 km (62 miles) / 2 Mio. cuts
Dimensions (W x H x D)	162 x 98 x 184 mm (6.38 x 3.86 x 7.24 inch)
Weight	approx. 1,210 g
Environment**)	-20°C – +60°C (-4°F – +140°F) with specified paper
Humidity	10 – 90 % relative humidity, without condensation
Storage condition	-25°C – +70°C (-13°F – +158°F) at 10 – 90 % relative humidity, without condensation

*) Life cycle according to mechanism testing conditions of the manufacturer with specified paper only. Please inquire. The life cycle of the print head is an averaged expectable performance and no guaranteed data. Under optimum conditions, the above listed data can be achieved using specified paper according to our documentation TI-DE-0606.

**) In case the print head reaches the maximum ambient temperature, the printer will interrupt operation until cooling down and sends an error message.

The GeBE logo is a registered trademark of GeBE Elektronik und Feinwerktechnik GmbH. All other brands named in this brochure are properties of the respective companies.

The technical data given are non-committal information and do not represent any assurance of certain features. Errors and changes reserved.

This technical documentation is only valid until release of a revision. Please always request the newest documentation edition.

Our terms of payment and delivery apply.

Copyright © 2022 GeBE Elektronik und Feinwerktechnik GmbH.

All rights reserved.